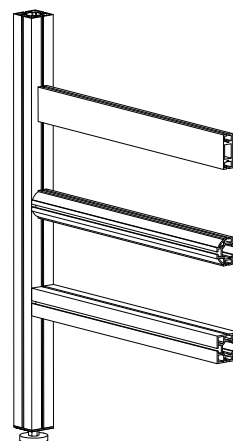
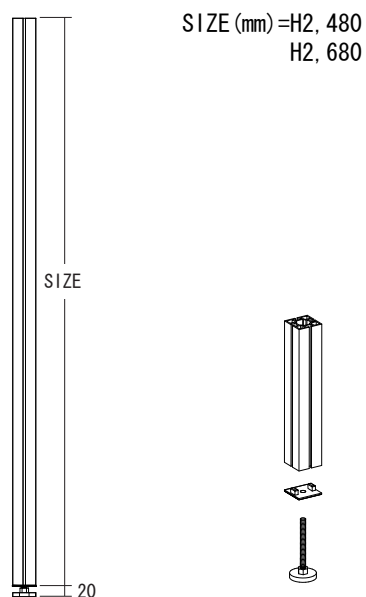


40mm 角柱
40mm square Uplight



40mm 角柱 対応梁
Beam use with 40mm square Upright

40mm 角梁
40mm square Beam



SIZE (mm) = L455 , L660 , L950 , L1,365 , L1,940

40mm 丸梁
40mm round Beam



SIZE (mm) = L455 , L660 , L950 , L1,365 , L1,940

